

# IntegraSpec<sup>®</sup> .COM

*The User Friendly ICF*

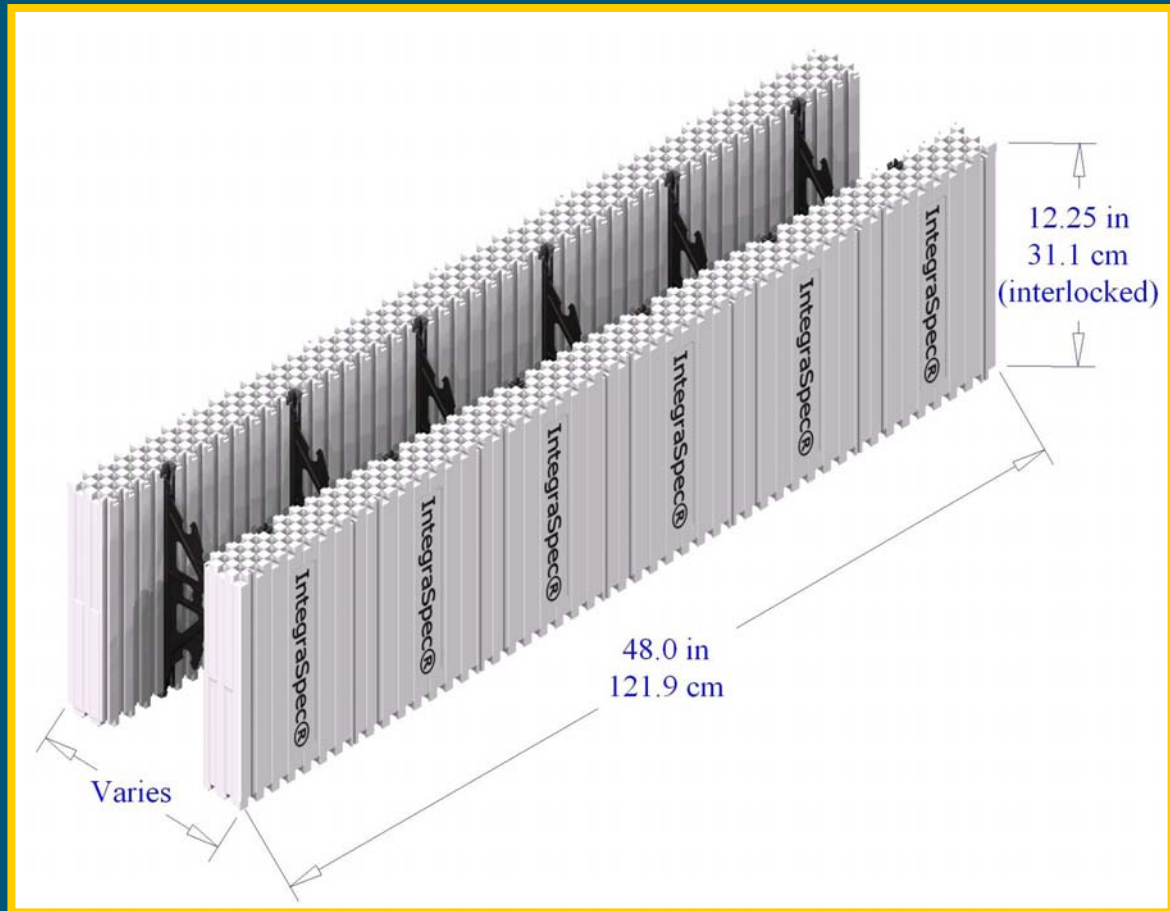
**Insulating Concrete Forms**

By PHIL-INSUL CORPORATION

# Welcome

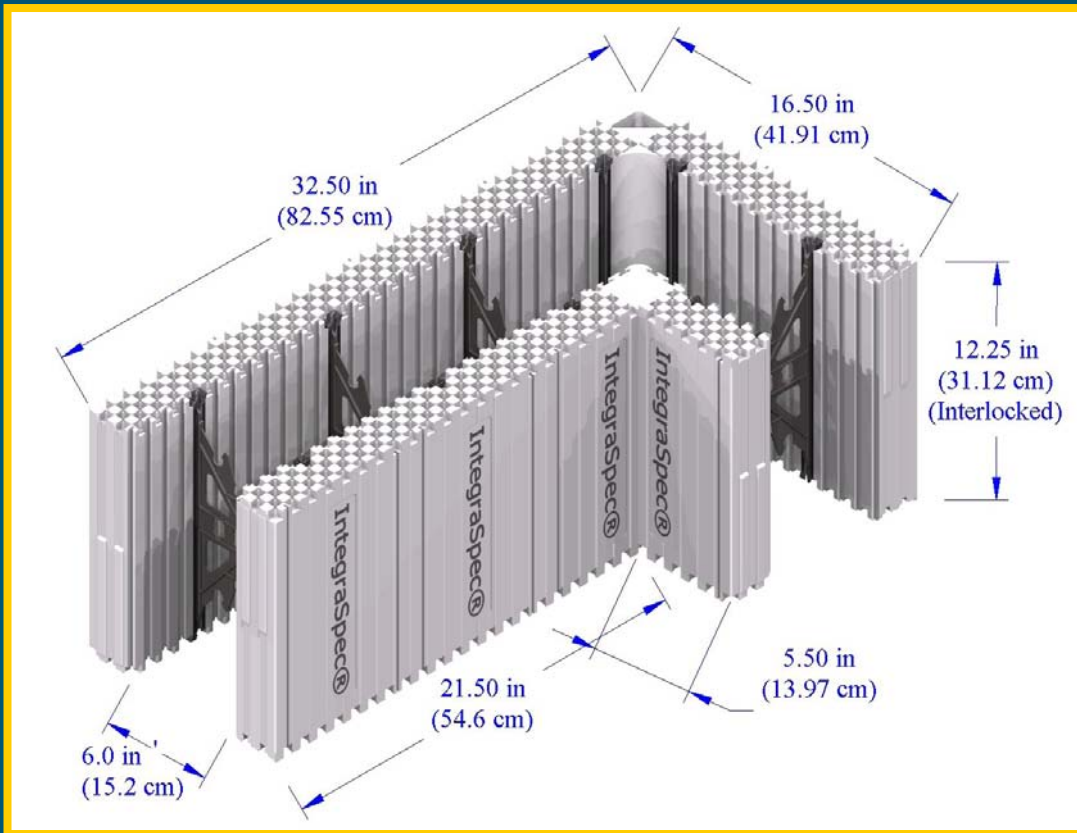


**Integra Products**



- Assembles using 2 IntegraSpec Standard Panels + 6 IntegraSpec Spacers
- Includes patented bi-directional / reversible technology
- Superior design dramatically reducing form lift, compression and blow outs
- The only true panelized ICF wall system designed to recognize the power of concrete

**Standard Unit**



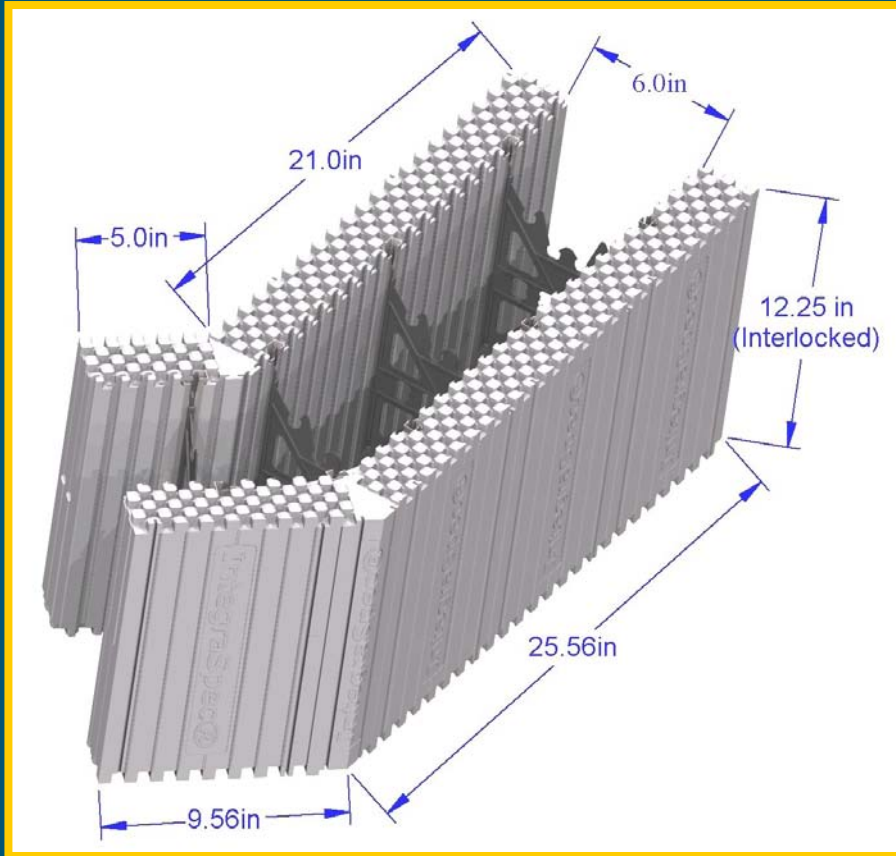
**- Assembles using a 6" IntegraSpec Corner Set + 4 IntegraSpec Spacers 6"**  
**(Option: IntegraSpec 90° Corner 4" - Requires 2" cut from exterior panel, mitered standard panels for interior + 4- 4" Spacers)**

**- Same patented technology as the IntegraSpec Standard Panel**

**- Additional inserts found close to exterior corner for drywall/siding fastening**

**- Extra fastening opportunity directly in exterior corner by inserting wood/steel strip in void**

**90° Corner Unit - 6"**

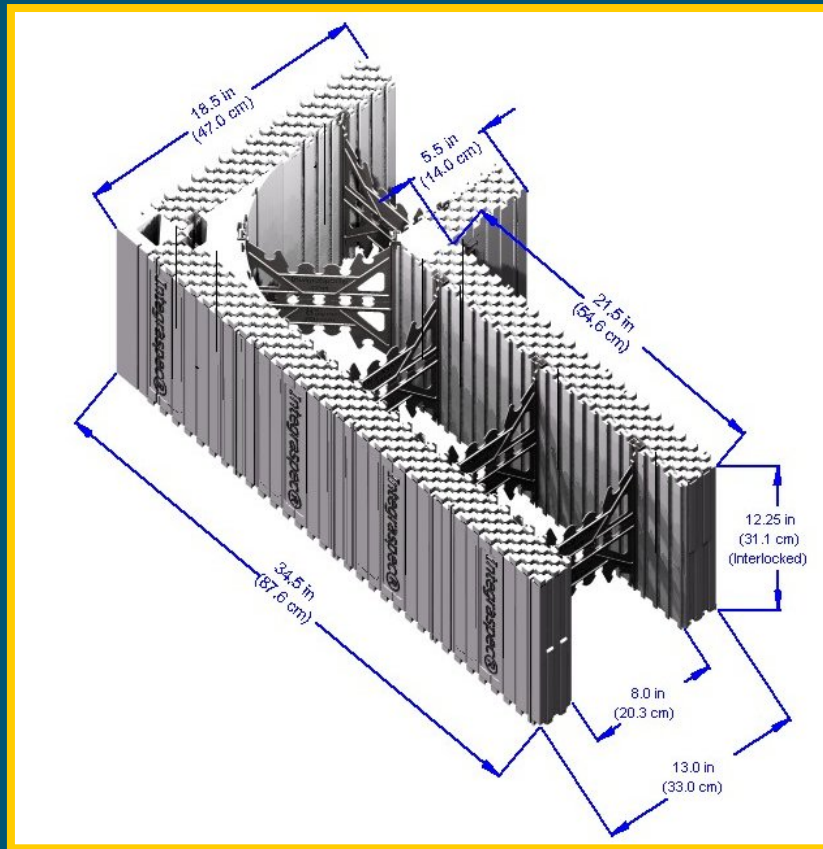


**- Assembles using an IntegraSpec Inside 45° Panel + IntegraSpec Outside 45° Panel + 4 IntegraSpec Spacers 6"**

**(Option: IntegraSpec 45° Corner 8" & 10" - Requires cut from ends of panels + 4 Spacers)**

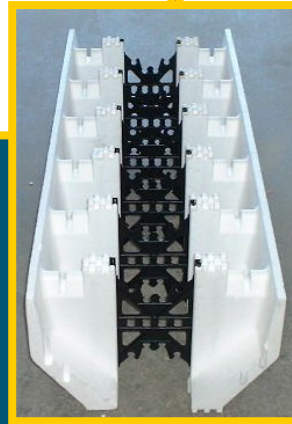
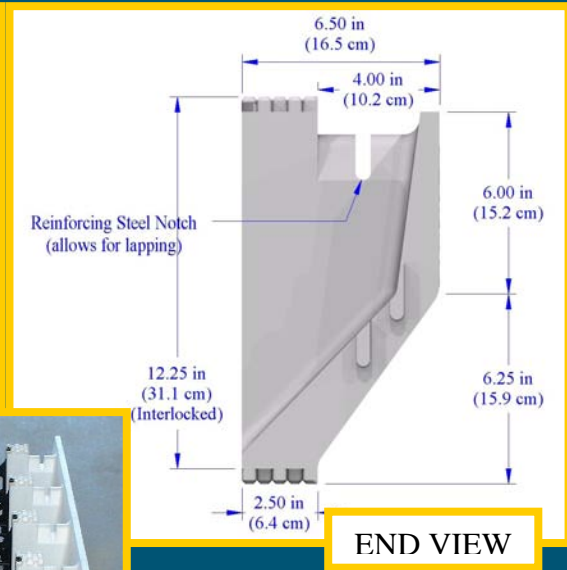
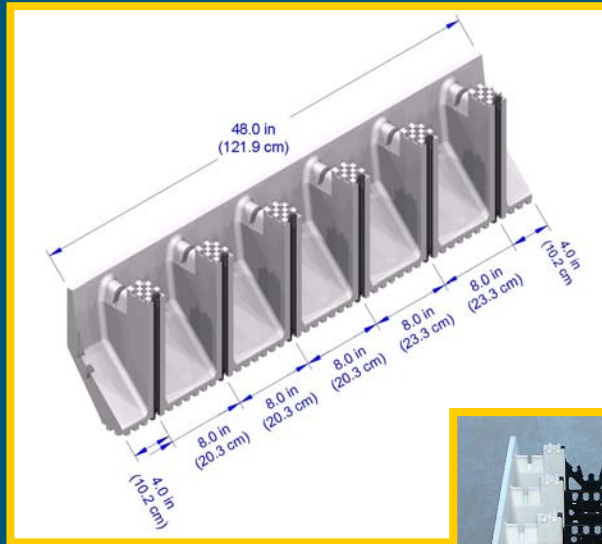
**- Same patented technology as the IntegraSpec Standard Unit**

**45° Corner Unit - 6"**



- Assembles using an IntegraSpec 90° Corner Set 8" + 5 - 8" IntegraSpec Spacer  
 (Option: IntegraSpec 90° Corner 10" - Requires 2" cut from ends of panels + 4-10" Spacers  
 + optional 6" Spacer & 4" Spacer held by the IntegraSpec "H" Clip in the corner)
- Same patented technology as the IntegraSpec Standard Panel
- Additional inserts found close to exterior corner for drywall/siding fastening

**90° Corner Unit - 8"**



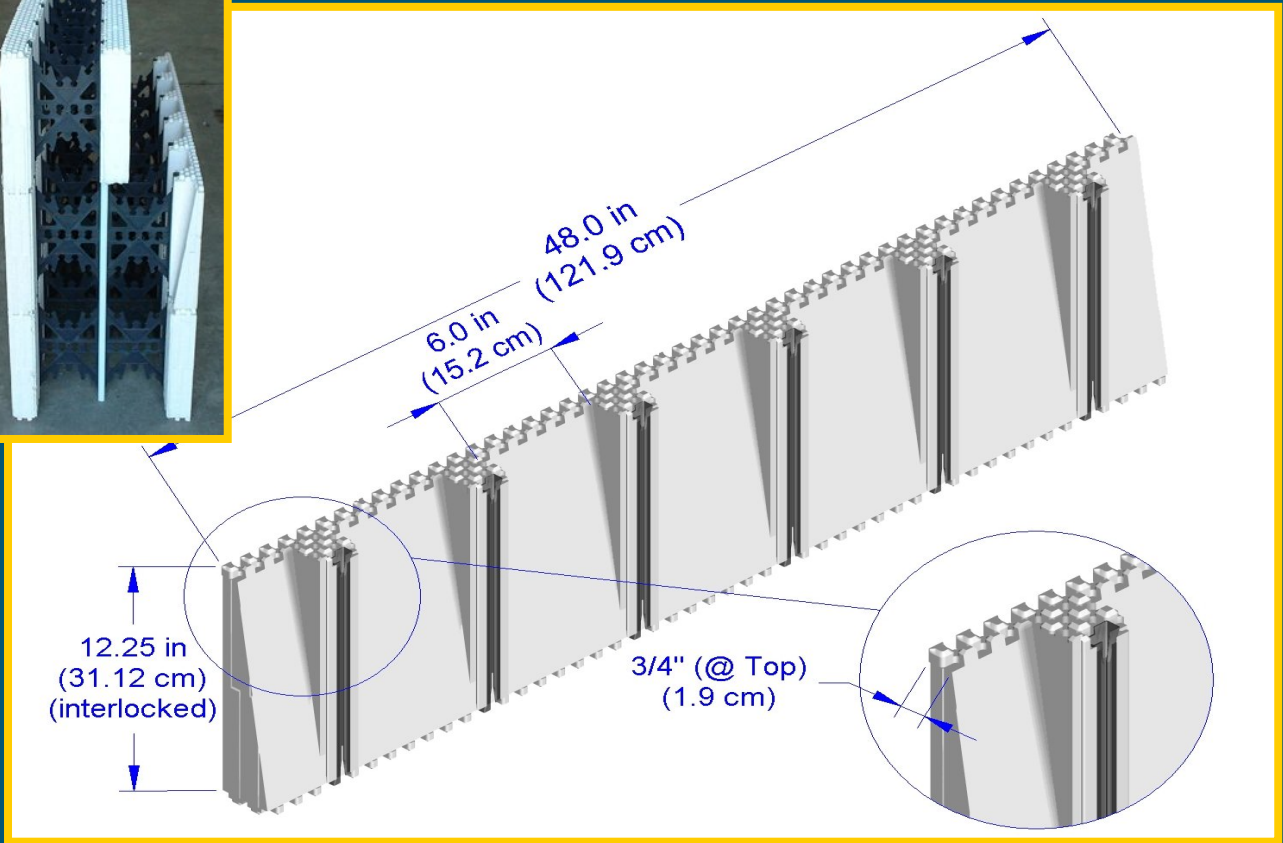
**- Assembles using an IntegraSpec Brickledge Panel + IntegraSpec Standard Panel+ 6 IntegraSpec Spacers – Any Size (Also requires rebar stirrups)**

**(Option: Double Brickledge Panel - Requires 2 IntegraSpec Brickledge Panels + 6 Spacers )**

**- Engineered for maximum support of brick and easily stepped for changing grades**

**- Engineered for interior floor/joist support**

**Brickledge Panel**

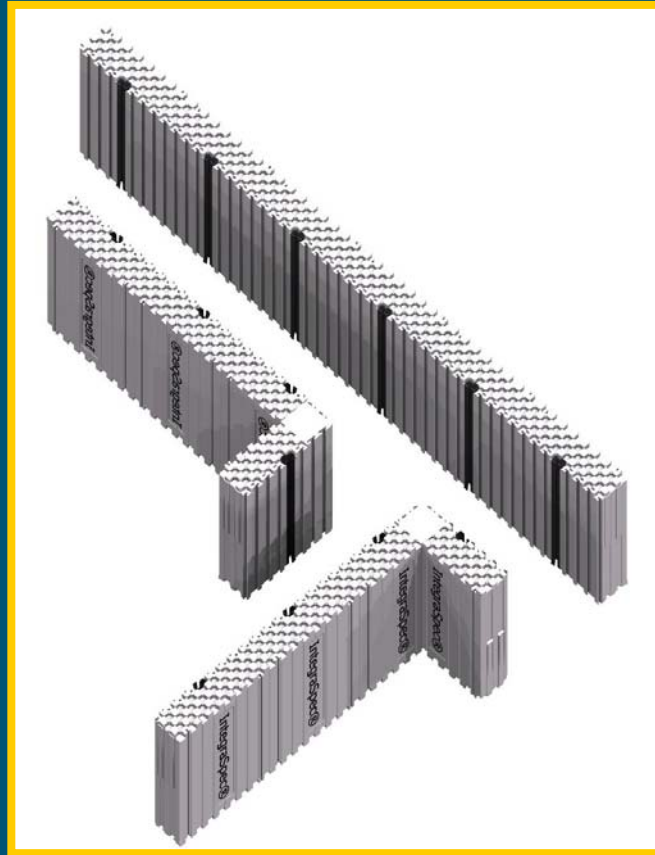


**- Assembles using an IntegraSpec Taper Top Panel + IntegraSpec Standard Panel + 6 IntegraSpec Spacers - Any Size**

**(Option: Double Taper Top Panel: Requires 2 IntegraSpec Taper Top Panels + 6 Spacers)**

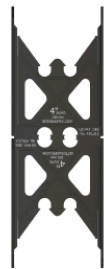
- Engineered to provide additional concrete surface at the top of an IntegraSpec wall**
- Provides the necessary support for brick at the top of a foundation or joist surround**

**Taper Top Panel**



- Assembles using 2 IntegraSpec "T" Wall Panels + and IntegraSpec Standard Panel+ IntegraSpec Spacers to match – (8" works best)  
(Option: "T" Wall Panels 6" : Requires 2" removed from Standard Panel at top of "T")
- Provides better interlocking protection at corners

**Integra "T" Walls**



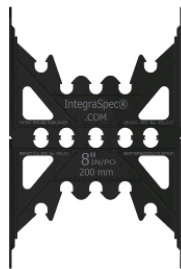
4 in (10.2cm)



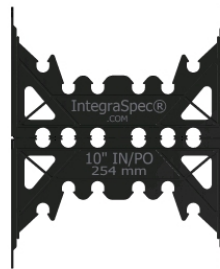
5 in (12.7cm)



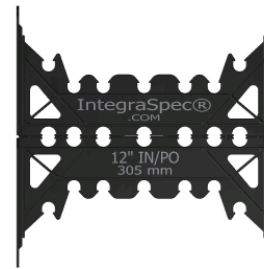
6 in (15.2cm)



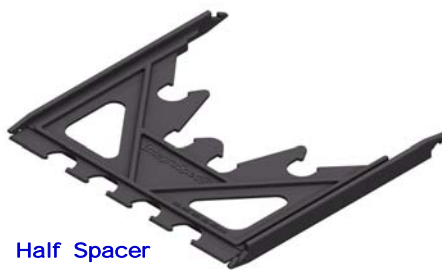
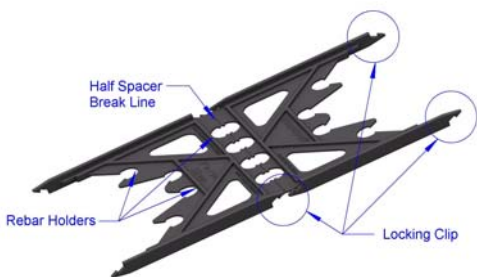
8 in (20.3cm)



10 in (25.4cm)



12 in (30.5cm)



Half Spacer



5 in (12.7cm)

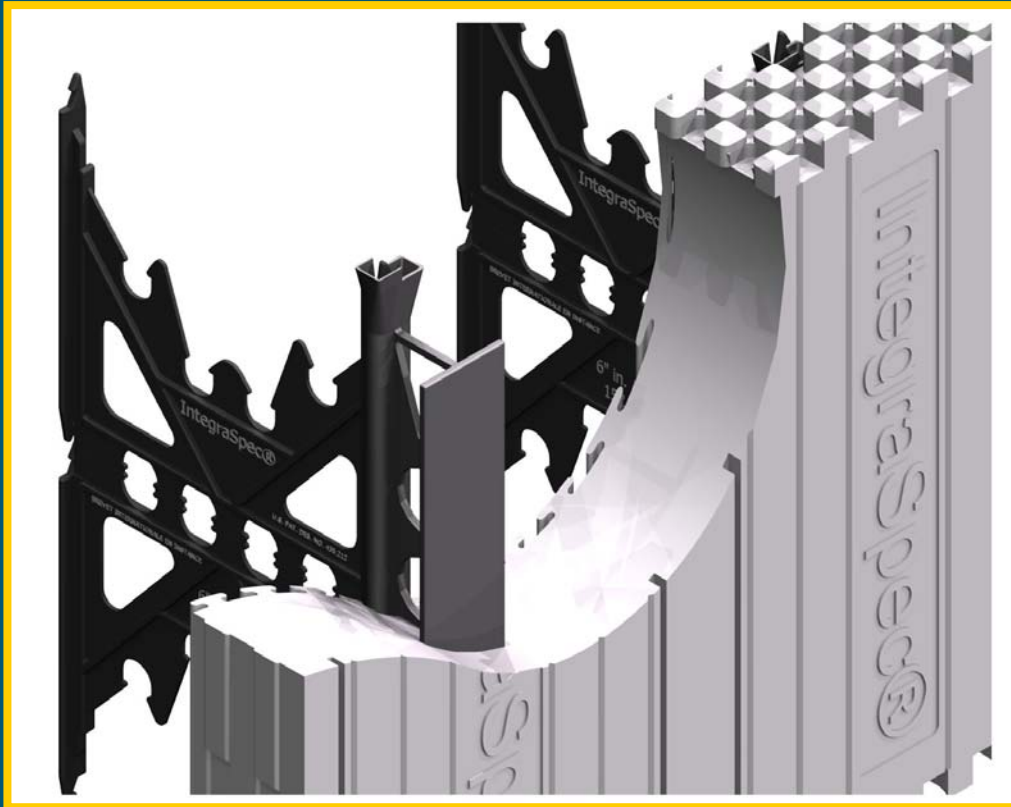
- Available in 4", 5", 6", 8", 10", and 12" widths

- Uniquely design to provide optimal concrete flow

- Interlocks on both ends to eliminate form lift when placing concrete

- Easily adjusts to half heights maintaining interlocking feature

## Integra Spacers



**- Vertical Fastening Strip/Stud**

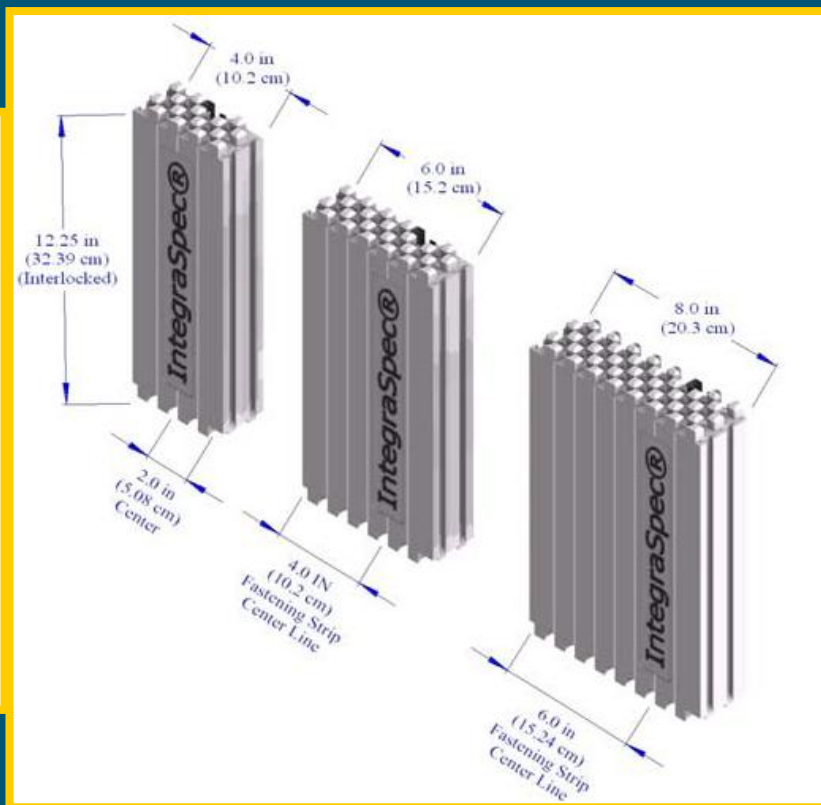
**- Tested to provide stronger pull resistance**

**- Recessed  $\frac{3}{4}$ " behind easy to locate embossed IntegraSpec Logo**

**-  $\frac{5}{8}$ " width provides easy to hit surface for nails and/or screws**

**- Made with High Impact Polystyrene for superior fusion to EPS and a stronger wall system**

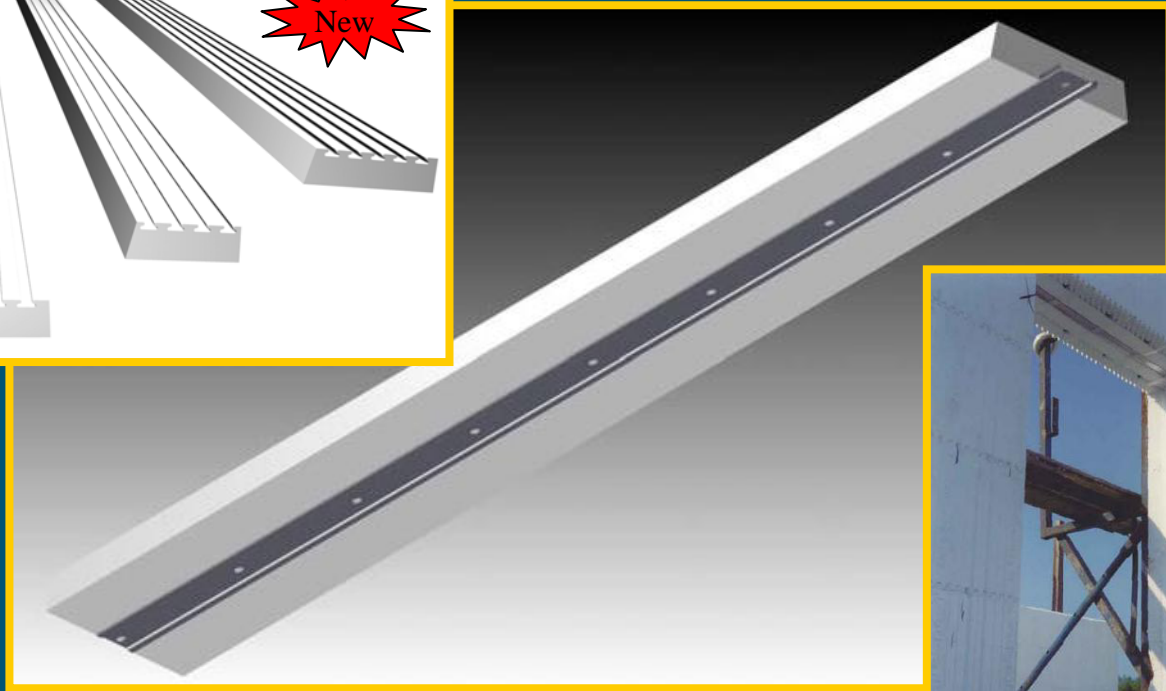
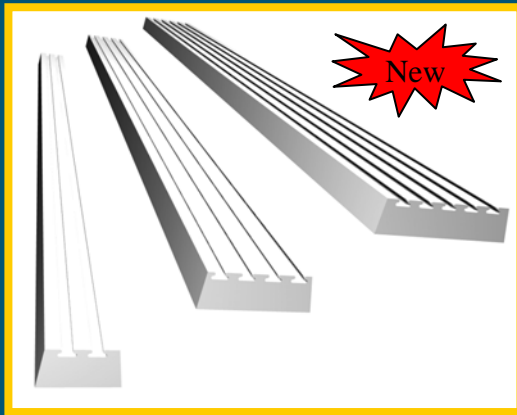
**Integra Inserts**



**- Available in 4", 6", and 8" sizes**

- Uniquely designed to provide secure wall ends where necessary**
- Easily slides in place into our dovetail grooves of any IntegraSpec panel**
- Includes an IntegraInsert for convenient installation of windows/doors/framing**
- Provides unequalled insulation protection and a single substrate for stucco**
- Eliminates the need for costly wood or plastic bucks and one less concern of air leaks**

**Integra Bucks**



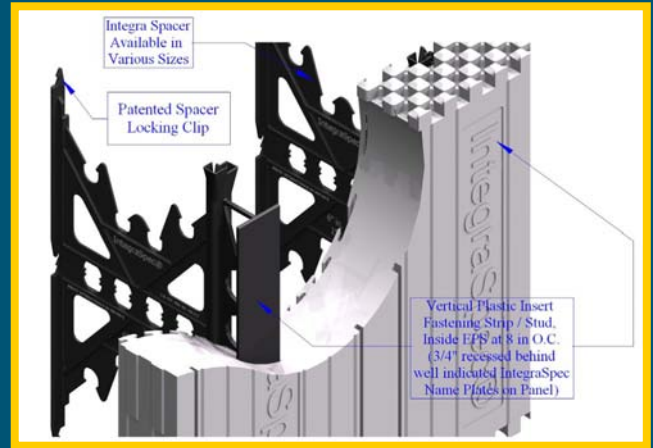
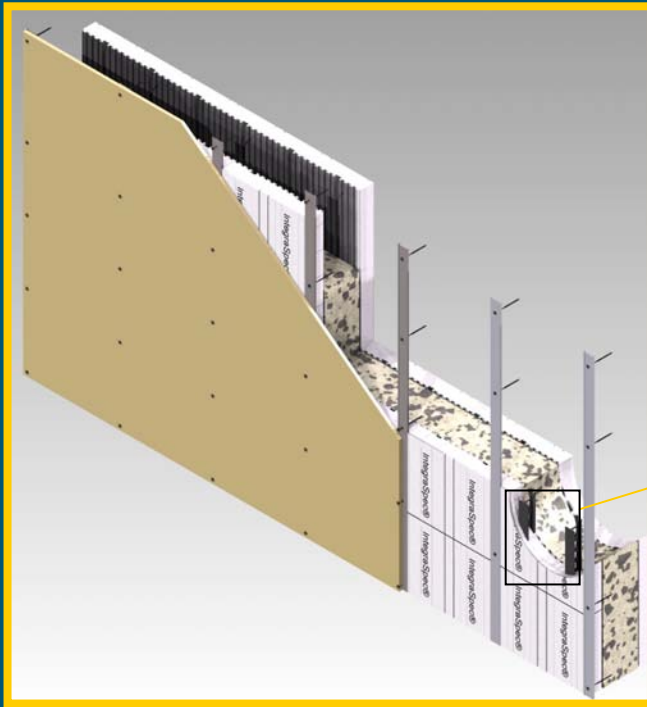
- Available in 4", 6", and 8" sizes
- Taper designed to dam bottom of lintels
- Includes a steel furring strip for convenient installation of windows/doors/framing
  - Provides better insulation protection and a single substrate for stucco
- Eliminates the need for costly wood or plastic bucks and one less concern of air leaks
- NEW !!! - 2" EPS only Integra Header with dovetail grooves for concrete adhesion

**Integra Headers**



- **Available in 4' lengths**
- **Uniquely designed to join one or more IntegraSpec Spacers**
- **Offers limitless concrete core thickness opportunities using the same panel system**
  - **i.e. 12" spacer + 10" spacer = 22<sup>5</sup>/<sub>8</sub>" wide concrete**
  - **Easily cut or stacked to any height required**
- **Provides enormous design flexibility for commercial use**

**Integra "H" Clip**

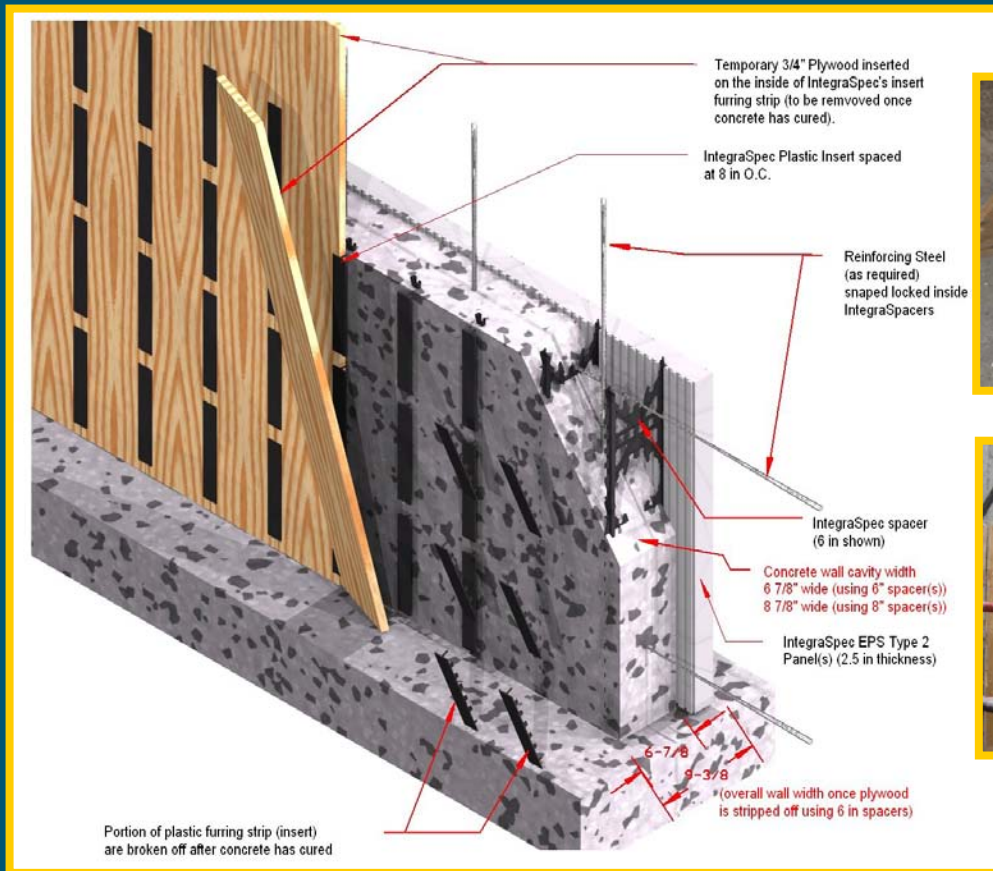


## - Included in all IntegraSpec Panels

-  $1\frac{5}{8}$ " Grooves provided on all IntegraSpec panels located at 8 inch on center.

(Option: Steel "U" channel(s) provides fastening strip anchored to the concrete core meeting commercial fire codes when installed prior to concrete placement with min. 4 inch non corrosive long wood or concrete screws / fasteners through the channel, IntegraSpec panel and into the concrete cavity.)

**Integra Fire Channel**



**- Assembled using IntegraSpec Panels one side + IntegraSpec Insert with plywood opposite side**

**- Meets commercial code approvals for applications such as Elevator Shafts, Public parking Garages, Public Stair Ways, Close Property Line Issues, etc.**

**- End results is a solid concrete wall on one side an insulated, pre-istrapped wall on the other**

**Integra ECF**  
**(Exposed Concrete Face)**